

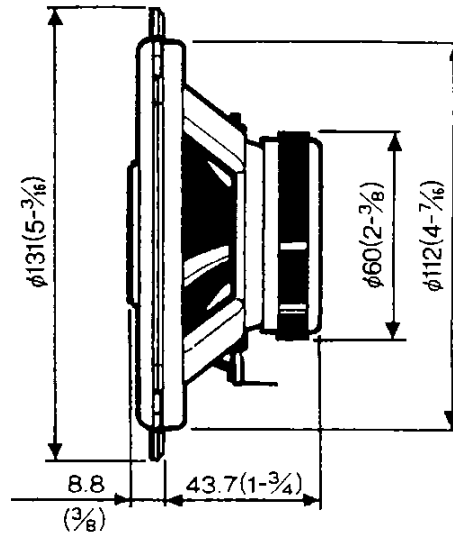
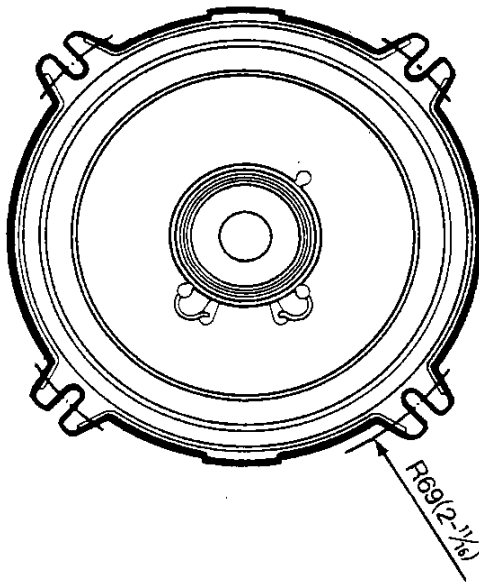
# KFC-1323C

## SERVICE MANUAL

# KENWOOD

© 1990-10 PRINTED IN JAPAN  
B51-6237-00 (O) 1397

### EXTERNAL VIEW



UNIT : mm (inch)

### SPECIFICATIONS

#### Speakers

- Woofer ..... 13cm (5-1/4in) Water Proof Treatment  
Cone Type 81g (2.9oz) Magnet
- Tweeter ..... 4cm (1-9/16in) Cone type
- Peak Power ..... 60 Watts
- Frequency Response ..... 50Hz~20,000Hz
- Sensitivity ..... 91dB/W at 1m
- Impedance ..... 4 Ohms
- Weight Per Speaker ..... 0.33kg (11.6oz) /Pc.

We follow a policy of advancements in development.  
For this reason specifications may be changed without notice.

### PARTS INCLUDED

- 4.5m(15ft) ..... X 2
- ϕ4-20(3/16-13/16) ..... X 8
- ..... X 8

### PARTS LIST

\* New parts  
Parts without parts No. are not supplied.

Ref No.	New Parts	Parts No.	Description
		B46-0100-20	WARRANTY CARD
		E30-5058-08	CORD SET
		N99-1088-08	SCREW SET
		T15-0177-08	SPEAKER

**Q.C.**  
**COPY**